

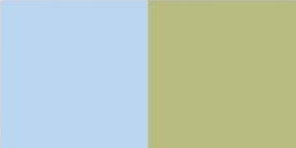


ZONEZ™

BUILT FOR CHANGE

For a limited time: Kitted walls for exam rooms

contact us today at 253.620.2350



OVER VIEW

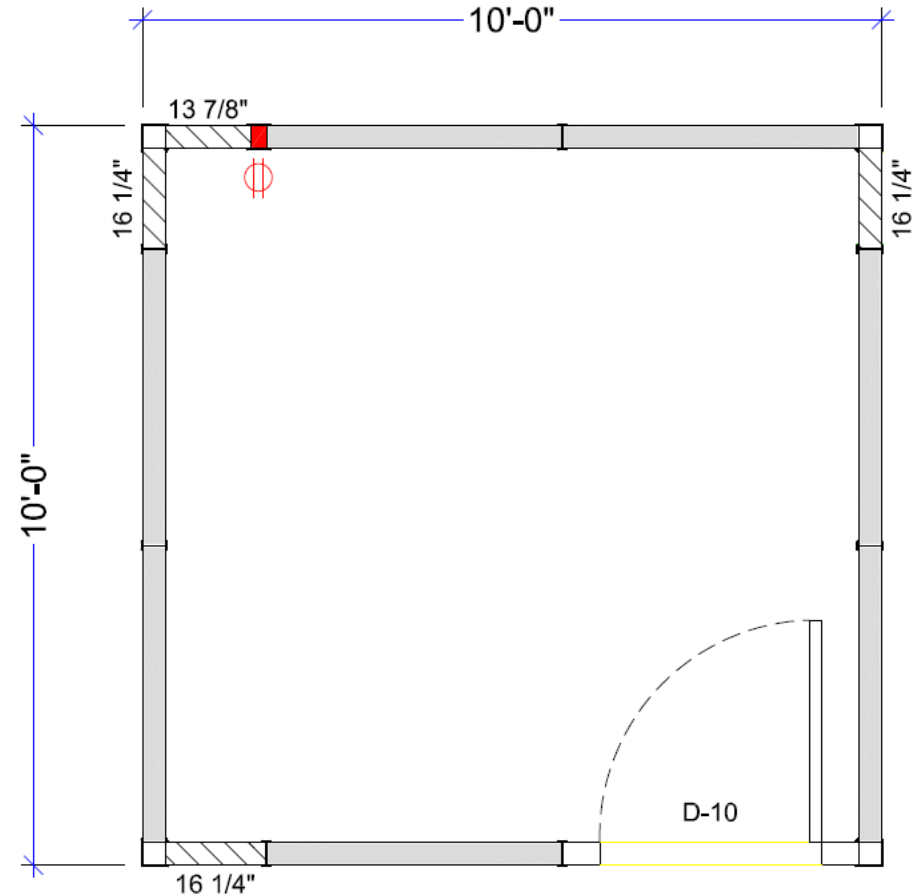
- Division of Allied Modular, +30 years of modular construction experience
- Headquartered in Orange, CA
- Manufacturing facilities in Orange, CA, Austin TX and Nashville, TN
- Our mission: Help the World escape the noise and distractions caused by the modern-day office
- Licensed engineering in all 50 states with ability to supply full permit packages when needed
- Beautiful products created to address the everchanging issues to related to workplace privacy and productivity
- Modular: Our customers want issues solved in weeks, not months or years



Patient Care Room – PCRV101008

Sale Price \$4207.50

- Modular free-standing patient care room
- 10' W x 10' L x 8' H
- Satin Aluminum framing
- **White Vinyl-Clad hardboard interior and exterior surfaces**
- Does not include lid or ceiling, can be added
- Installs on existing solid floor, can be added
- 8' UL-Classified raceway, must be hard-wired
- Duplex AC outlets
- 3' x 6' 8", 18ga Steel door frame
- Grade 2 locking lever hardware (ADA Compliant)
- 3-4 week lead times for standard product
- 2 person assembly in approximately 2 hours per room
- **Freight is not included**
- Ships on flat 8' x 4' pallet

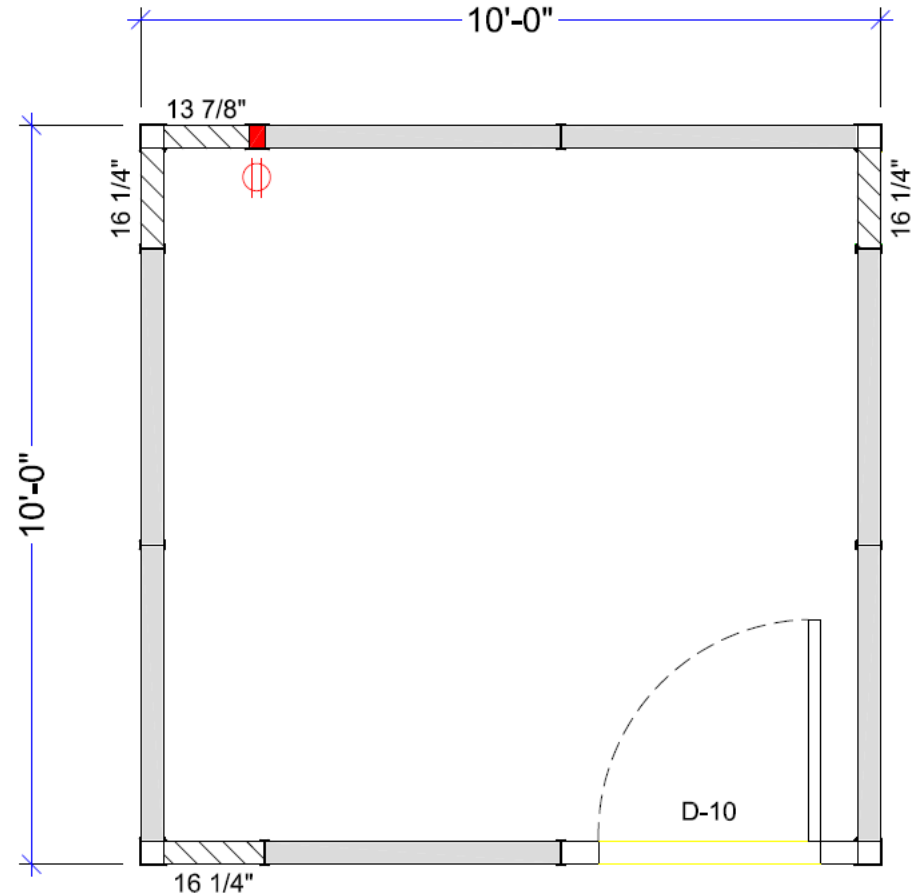


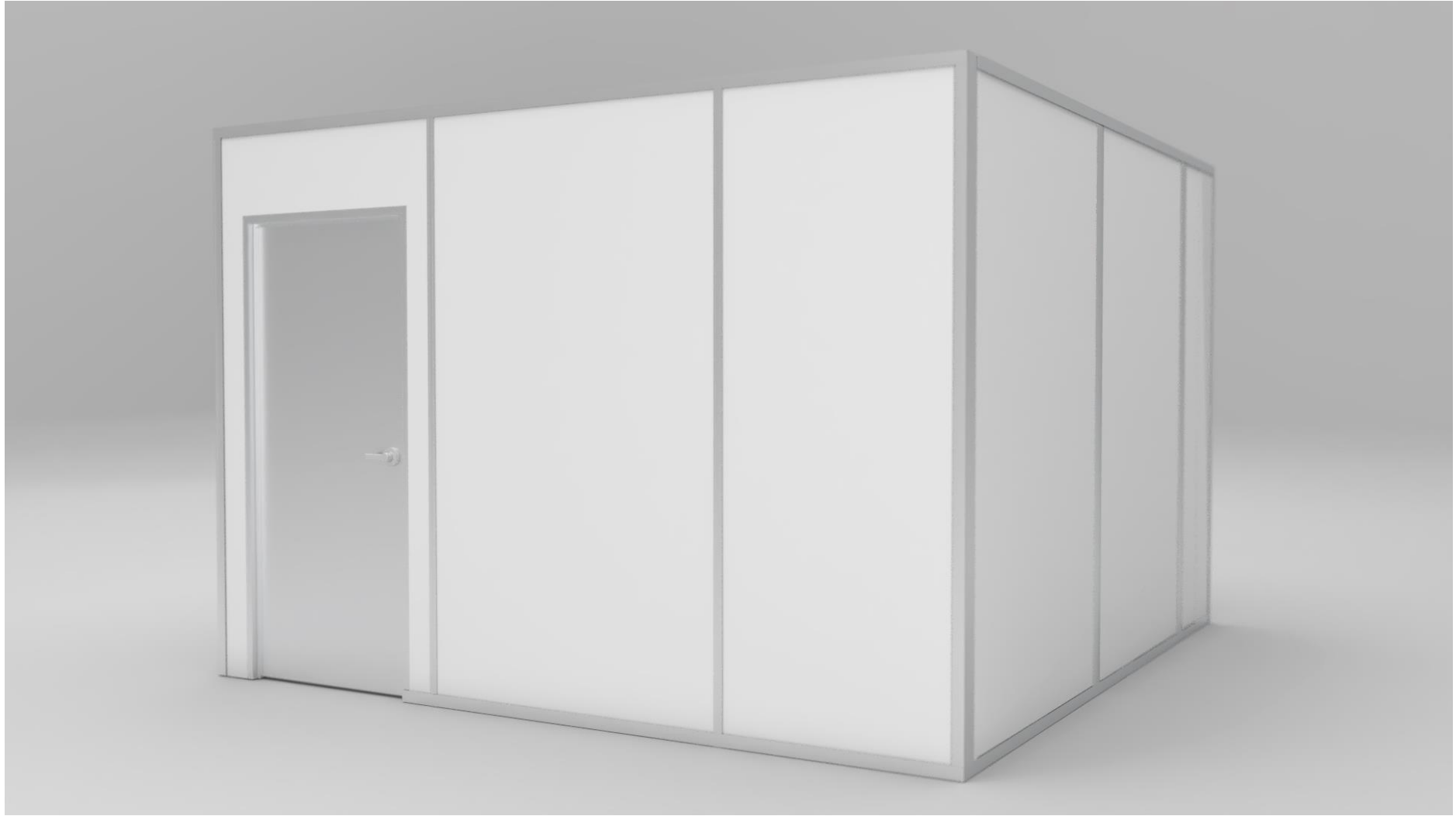


Patient Care Room – PCRV101008

Sale Price \$7016.25

- Modular free-standing patient care room
- 10' W x 10' L x 8' H
- Satin Aluminum framing
- White Textured Class C FRP (fiberglass reinforced panels) interior and exterior surfaces
- Surfaces may be cleaned with bleach
- Does not include lid or ceiling, can be added
- Installs on existing solid floor, can be added
- 8' UL-Classified raceway, must be hard-wired
- Duplex AC outlets
- 3' x 6' 8", 18ga Steel door frame
- Grade 2 locking lever hardware (ADA Compliant)
- 3-4 week lead times for standard product
- 2 person assembly in approximately 2 hours per room
- **Freight is not included**
- Ships on flat 8' x 4' pallet





Action:

- Reach out to your Chuckals Sale person or contact:
Kayleen Koth: kothk@chuckals.net 253.620.2350 ext 147
- Set up a quick consultation
- 3 weeks lead time for basic product